

## Product Description

PE和 PEX系列颚式破碎机采用高锰钢耐磨材料制造,重量轻,强度及刚度高,能耗低,进料粒度大,维护成本低,使用方便,是当前初破及二破使用中最可靠技术。

The PE Series Jaw Crusher adopts anti-wear high manganese, light weight, high strength and rigidity and low energy consumption, be the most popular usage in the primary crushing. The PEX series jaw crusher can fully guarantee customers' crushing requirements from various industries. It's popular used in the secondary crushing industry.

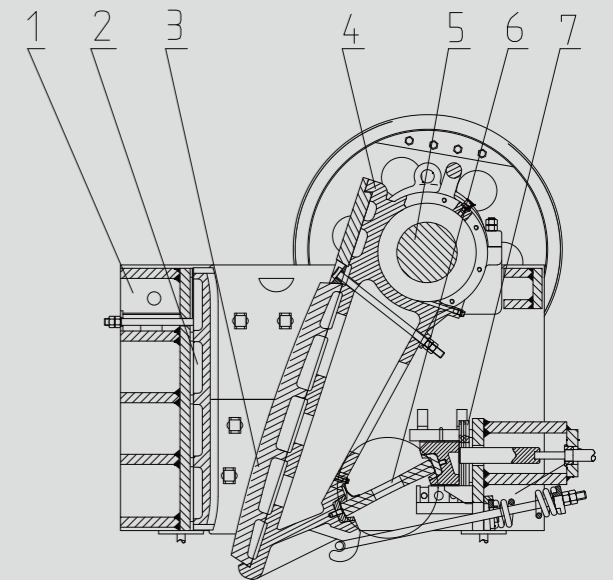


## Principal Technical Data

Model	Size of Feed Opening(mm)	Max Feed Size(mm)	Adjustable Range of Discharge(mm)	Crushing Capacity(tph)	Electric Motor Power(kW)	Weight(Excluding Electric Motor)(t)
PE-150×250	150×250	130	10-40	0.96-4.8	5.5	0.81
PE-250×400	250×400	210	20-80	5-21	15	2.8
PE-250×500	250×500	210	20-80	5.7-3.1	18.5	3.25
PE-400×600	400×600	340	40-100	16-64	30	6.5
PE-500×750	500×750	425	50-100	45.6-100	55	10.3
PE-600×900	600×900	500	65-160	48-120	55/75	15.5
PE-750×1060	750×1060	630	80-140	115-208	110	25.1
PE-800×1060	800×1060	650	100-200	136-228.8	110	28.3
PE-870×1060	870×1060	670	200-260	288-384	110	28.7
PE-900×1200	900×1200	750	100-200	144-304	132	43.3
PE-1000×1200	1000×1200	850	195-265	315-342	132	50.6
PE-1200×1500	1200×1500	1000	150-350	300-800	220	78.14
PE-1500×1800	1500×1800	1200	220-350	450-1000	355	122
PEX-250×750	250×750	210	25-60	8.0-22	22	5.1
PEX-250×1000	250×1000	210	25-60	16-51.2	30/37	6.5
PEX-250×1200	250×1200	210	25-60	20-60	37	7.7
PEX-300×1300	300×1300	250	20-90	16-104	75	11

## Structural Drawing

1. Frame
2. Fixed Jaw Plate
3. Movable Jaw Plate
4. Swing Jaw
5. Eccentric Shaft
6. Toggle Plate
7. Toggle Seat



PE & PEX JAW CRUSHER

## Product Description

C系列高性能颚式破碎机被用于粗、中碎作业。该机型汇集了世界上最先进的破碎技术和制作工艺，在结构、工作性能、使用寿命、维护等方面具有其特有的优越性，是硬、强腐蚀性物料进行高效破碎的首选。目前，C系列高性能颚式破碎机已成为高速公路、铁路、机场跑道、矿山、建材、冶金、化工等领域最受青睐的颚式破碎机之一。

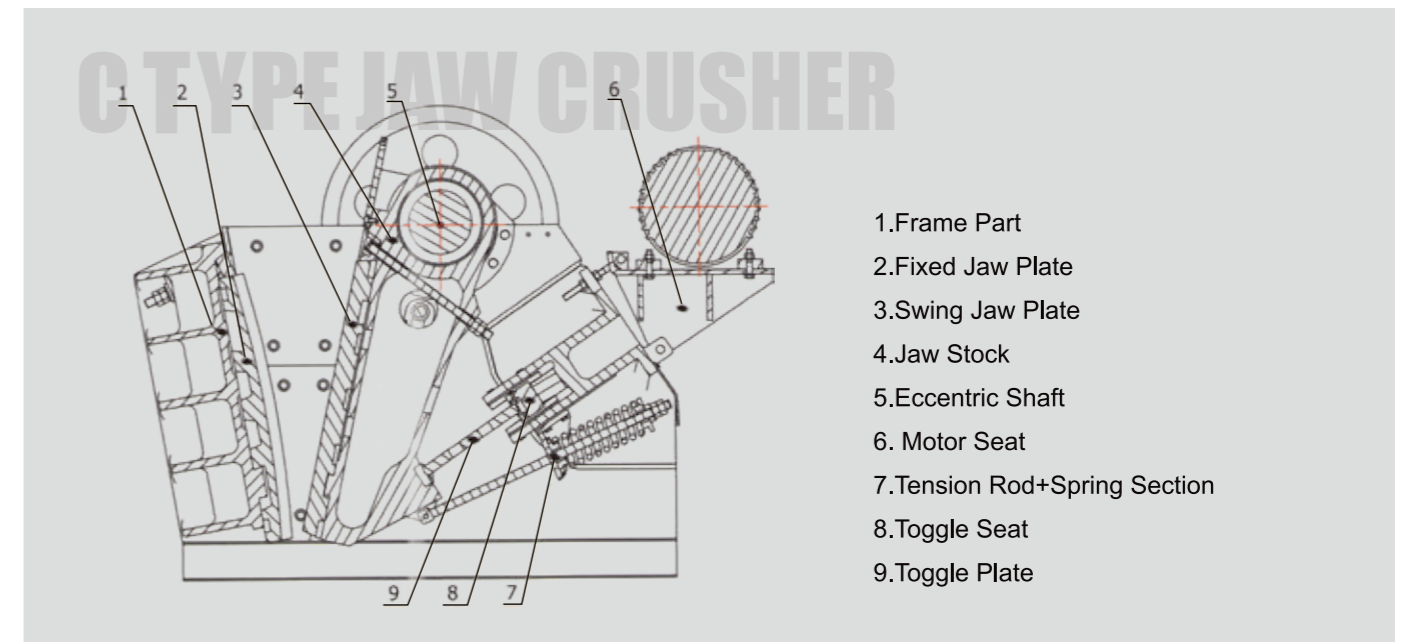
C series high-performance jaw crusher is used as primary and secondary crusher. The C series high-performance jaw crusher is assembled of the world's most advanced crushing technology and production process. It has unique superiority in structure design, working performance, useful life and facilities maintenance. It's the best choice for high efficiency crushing of hard and highly corrosive material.



## Principal Technical Data

Model	C80V	C96V	C100V	C106V	C110V	C116V	C125V	C140V	C145V	C160V	
Feed Opening Width(mm)	800	930	1000	1150	1100	1150	1250	1400	1400	1600	
Feed Opening Depth (mm)	510	580	760	800	850	800	950	1070	1100	1200	
Motor Power (kW)	75	90	110	132	160	132	160	200	200	250	
Eccentric Shaft Speed (rpm)	350	330	260	260	230	260	220	220	220	220	
Weight (kg)	7665	9754	20055	14345	25795	18595	37965	47115	54535	71325	
Material Size (mm)	Discharge Gate of Close Side(mm)	Capacity (tph)									
0-30	20										
0-35	25										
0-45	30										
0-60	40	65-85									
0-75	50	80-95									
0-90	60	95-125	120-155								
0-105	70	115-150	140-180	150-210	155-200	190-250	170-220				
0-120	80	130-170	160-210	170-225	175-230	210-275	190-250				
0-135	90	150-195	180-235	190-245	200-260	235-305	215-280				
0-150	100	165-215	200-260	215-280	220-290	255-330	240-310	290-380			
0-185	125	210-275	250-325	265-345	280-365	310-405	295-385	350-455	385-500	400-520	
0-225	150	250-325	300-390	315-410	335-435	370-480	350-455	410-535	455-590	470-610	520-675
0-260	175	290-380	350-455	370-480	390-510	425-550	405-525	470-610	520-675	540-700	595-775
0-300	200			420-545	445-580	480-625	460-600	530-690	590-765	610-795	675-880
0-340	225							590-770	655-850	680-885	750-975
0-375	250							650-845	725-945	750-975	825-1070
0-410	275									820-1070	900-1170
0-450	300										980-1275

## Structural Drawing





## Product Description

PY系列圆锥破碎机结构紧凑, 生产效率高, 采用碗型轴承具有较高的精度储备, 采用集中稀油润滑系统和干油密封防尘系统。通常使用在二级破碎及三级破碎中。适用破碎中等以上硬度的各种矿石和岩石。

This machine features compact structure and high production efficiency. Bowl-shaped bearing is applied for high-precision reservation.

It has centralized thin oil lubricating system and new oil sealing dust-proof system. When extraneous matters enters crushing chamber, the spring security device can protect the equipment from being damaged.

This series is usually applied in secondary and tertiary crushing stations. And it is suitable for crushing rocks and ores with hardness medium and above, such as iron ore, copper ore, limestone, quartz, granite, sandstone, etc.

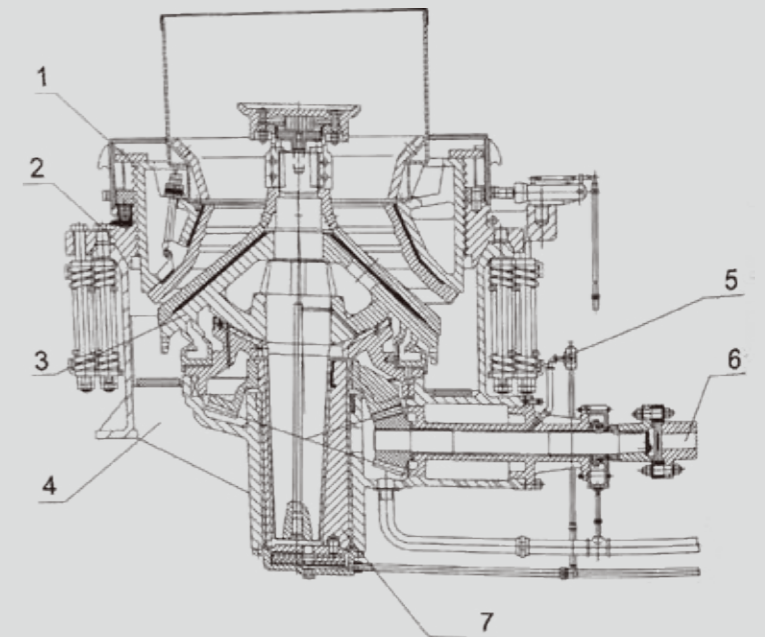


## Principal Technical Data

Model	Max Feed Size(mm)	Adjustable of Discharge Opening(mm)	Crushing Capacity(tph)	Electric Motor Power(kW)	Speed of Eccentric Shaft(rpm)	Overall Dimension (l*w*h)(mm)	Weight (t)	
PYB	600	65	12-25	30	356	2234×1370×1675	5.3	
PYD		35	3-15			12-23	2234×1370×1675	5.3
PYB	900	115	15-50	55	333	2692×1640×2350	11.2	
PYZ		60	5-20			50-65	2692×1640×2350	11.2
PYD		40	3-13			14-50	2692×1640×2350	11.3
PYB	1200	145	20-50	110	300	2790×1878×2844	24.7	
PYZ		100	8-25			42-134	2790×1878×2844	25
PYD		50	3-15			18-105	2790×1878×2844	25.3
PYB	1750	215	25-60	155	245	3910×2894×3809	50.3	
PYZ		185	10-30			115-320	3910×2894×3809	50.3
PYD		85	5-15			75-230	3910×2894×3809	50.2
PYB	2200	300	30-60	280	220	4622×3302×4470	83	
PYD		100	5-15			120-340	4622×3302×4470	83

## Structural Drawing

1. Adjustment part
2. Support part
3. Crushing part
4. Frame
5. Spring
6. Driving part
7. Eccentric sleeve

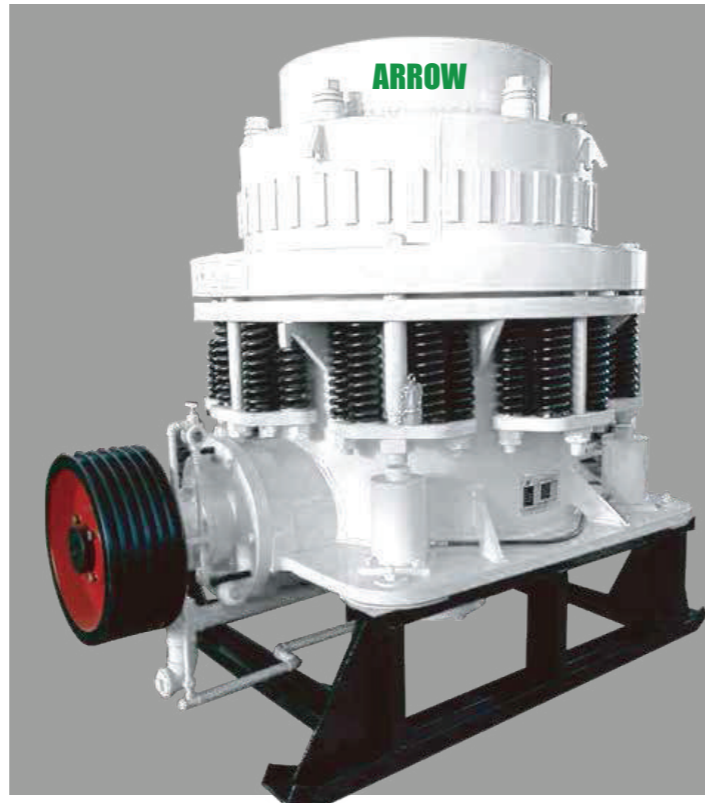


## Product Description

PYF复合圆锥破碎机通常用在二次破碎、三次破碎，采用了最佳配合的破碎率和偏心距，使用得所要破碎的物料破碎程度更高，破碎能力更高。用户可以根据不同的需要，选择不同的腔型。适用于破碎各种硬度中等以上的矿石和岩石。

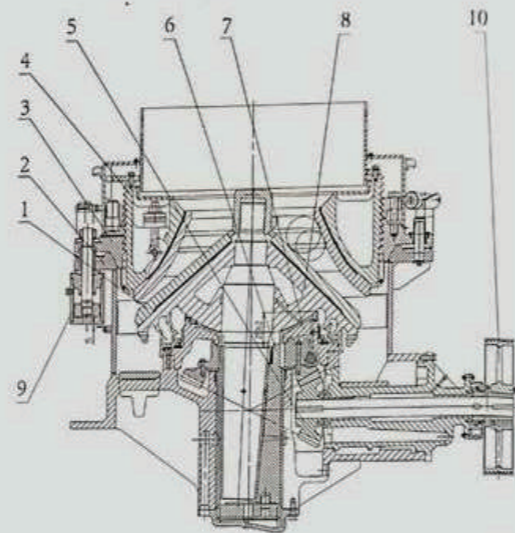
PYF Compound cone crusher is often used in the secondary and tertiary crushing process. It makes use of the best coordination of crushing frequency and eccentricity, which enables the crushed materials much more fine.

Various types of crusher chambers are available for customers to choose according to their different needs. And it is suitable for crushing all kinds of ores and rocks with hardness of medium and above.



## Structural Drawing

- 1.Liner plate    2.Frame    3.Support sleeve
- 4.Adjusting part    5.Driving unit    6.Eccentric sleeve
- 7.Bowl bearing    8.Crushing cone    9.Cylinder
- 10.Pulley



PYF CONE CRUSHER

## Main Technical Data

Specifications	Model	Chamber Type	C.S.S (mm)	Max.Feed Size (mm)	Capacity (tph)	Weight (t)	Power (kW)
PYF900	PYFB-0910	STD F	9-22	85	45-91	12.4	75
	PYFB-0917	STD C	13-38	150	59-163	12.2	
	PYFB-0918	STD EC	25-38	150	118-163	12.2	
	PYFD-0904	SH F	3-13	35	27-90	13.3	
	PYFD-0906	SH M	3-16	51	27-100	13.3	
	PYFD-0907	SH C	6-19	65	59-127	22.4	
PYF1300	PYFB-1313 II	STD F	13-31	115	109-181	21.4	160
	PYFB-1321 II	STD M	16-38	178	132-253	21.1	
	PYFB-1324 II	STD C	19-51	205	172-349	21.1	
	PYFB-1325 II	STD EC	25-51	220	236-358	21.1	
	PYFD-1308 II	SH M	6-16	78	82-163	20.6	
	PYFD-1310 II	SH C	8-25	89	109-227	20.7	
	PYFD-1313 II	SH EC	16-25	113	209-236	20.8	
PYF1600	PYFB-1620 III	STD F	16-38	178	181-327	37.1	250
	PYFB-1624 III	STD M	22-51	205	258-417	36.7	
	PYFB-1626 III	STD C	25-64	228	299-635	36.5	
	PYFB-1636 III	STD EC	38-64	313	431-630	36.2	
	PYFD-1607 III	SH F	5-13	60	90-209	36.7	
	PYFD-1608 III	SH M	6-19	76	136-281	36.5	
	PYFD-1613 III	SH C	10-25	113	190-336	36.5	
	PYFD-1614 III	SH EC	13-25	129	253-336	36.2	
PYF2100	PYFB-2127	STD F	19-38	236	554-1034	94.2	400
	PYFB-2133	STD M	25-51	284	862-1424	94.5	
	PYFB-2136	STD C	31-64	314	1125-1814	94.5	
	PYFB-2146	STD EC	38-64	391	1252-1941	92.5	
	PYFD-2110	SH F	5-16	89	218-463	95.4	
	PYFD-2113	SH M	10-19	113	404-580	95.2	
	PYFD-2117	SH C	13-32	151	517-680	95.1	
	PYFD-2120	SH EC	16-35	172	580-744	93.8	



## Product Description

西蒙斯圆锥破碎机系列源自美国破碎领域经典技术,是采用“层压破碎”原理的高性能破碎机。本机是中、细破碎作业的可靠选择,作用于二级,三级破碎非常理想;具有柔性传动,液压调节,自动清腔功能,以及回料少(可降低至35%),低能耗,环保等优势。广泛应用于矿山、建筑、水利、化工等领域。

The SYMONS cone crusher adopts the classic technologies from the United States. It is a high-performance crusher with the principle of lamination.

It is suitable for medium and fine crushing which are widely applied in the secondary and tertiary crushing processes, the features including: flexible drive, hydraulic adjustment, automatic cavity clearing, less return materials(can be reduced to 35%), etc. It is used in mining, construction, hydraulic engineering, chemical industry and some other fields.



### FEED MATERIAL RATING-AVERAGE/HARD

Open Circuit Product Analysis(% Passing) for Given Closed Side Setting of Crusher

Product Size	Closed Side Setting of Crusher,(mm)							
	6mm	10mm	13mm	19mm	25mm	32mm	38mm	51mm
102								100
76							100	91
64						100	95	82
51					100	93	86	70
38				100	92	80	70	51
32				95	82	70	57	41
25			100	86	70	54	44	32
19		100	92	70	51	39	32	25
13	100	86	70	44	32	26	22	17
10	94	70	51	32	25	20	17	13
6	70	44	32	22	17	14	12	9
5	50	32	25	17	13	11	9	7
3	34	23	18	12	10	8	7	5
2	25	17	13	9	7	6	5	4

## Principal Technical Data

### STANDARD SYMONS CONE CRUSHERS

Open Circuit-capacities In Tons Per Hour Passing Through The Crusher At Indicated Discharge Setting "A"														
Size	Type of Cavity	Recommended Minimum Discharge Setting A	Feed Opening with Min. Recommended Discharge Setting A		Capacitise in Tons Per Hour at Each Discharge Setting Size(mm)									
			B Closed side	B Open side	9mm	13 mm	16mm	19mm	22mm	25mm	31mm	38mm	51mm	64mm
3ft (900mm)	fine	9mm	83mm	102mm	45	59	72	81	91					
	coarse	13mm	159mm	175mm		59	72	91	109	118	136	163		
	extra coarse	25mm	163mm	178mm						128	147	175	196	
4ft (1200mm)	fine	9mm	127mm	131mm	63	90	108	126	140	153	167			
	medium	13mm	156mm	156mm		99	117	135	144	162	180	198		
	coarse	19mm	178mm	191mm				140	153	180	198	243	306	
4-1/4ft (1275mm)	extra coarse	25mm	231mm	250mm						189	207	252	315	
	fine	13mm	109mm	137mm		109	127	145	154	163	181			
	medium	16mm	188mm	210mm			132	159	172	200	227	253	309	
5-1/2ft (1650mm)	coarse	19mm	216mm	241mm				172	195	218	249	295	378	
	extra coarse	25mm	238mm	259mm						236	276	324	398	455
	fine	16mm	188mm	209mm			181	204	227	258	295	327		
7ft (2100mm)	medium	22mm	213mm	241mm					258	290	336	381	437	595
	coarse	25mm	241mm	269mm						354	417	454	610	720
	extra coarse	38mm	331mm	368mm								538	630	743
7ft (2100mm)	coarse	31mm	334mm	369mm								789	844	1088
	extra coarse	38mm	425mm	460mm									880	1179

### SHORT HEAD SYMONS CONE CRUSHERS

Open Circuit-capacities In Tons Per Hour Passing Through The Crusher At Indicated Discharge Setting "C"															
Size	Type of Cavity	Recommended Minimum Discharge Setting C	Feed Opening with Min. Recommended Discharge Setting C		Capacitise in Tons Per Hour at Each Discharge Setting Size(mm)										Power
			D Closed side	D Open side	3	5	6	10	13	16	19	25			
3ft (914mm)	fine	3mm	13mm	41mm	27	41	54	68	90						
	medium	3mm	33mm	60mm	27	41	54	68	90	100					
	coarse	6mm	51mm	76mm			59	73	95	113	127				
4ft (1219mm)	fine	5mm	29mm	57mm		50	77	86	122	131					
	medium	8mm	44mm	73mm					90	137	144				
	coarse	13mm	56mm	89mm						140	162	180			
4-1/4ft (1295mm)	extra coarse	16mm	89mm	117mm						144	167	189	216		
	fine	3mm	29mm	64mm	36	59	82	104	136	163					
	medium	6mm	54mm	89mm			82	104	136	163					
5-1/2ft (1676mm)	coarse	8mm	70mm	105mm						109	159	181	200	227	
	extra coarse	16mm	98mm	133mm								209	236		
	fine	5mm	35mm	70mm		90	136	163	209						
7ft/HD (2134mm)	medium	6mm	54mm	89mm							136	163	209	253	
	coarse	10mm	98mm	133mm								190	253	281	
	extra coarse	13mm	117mm	133mm									253	281	
7ft/HD (2134mm)	fine	5mm	51mm	105mm		190	270	345	360	408	475	512			
	medium	10mm	95mm	133mm						354	408	454	508	560	
	coarse	13mm	127mm	178mm							454	480	540	599	
7ft/HD (2134mm)	extracoarse	16mm	152mm	203mm								508	590	653	

## Product Description

CH & CS系列圆锥破碎机采用瑞典先进的技术，结构紧凑、破碎能力强、破碎比大、产品粒型好；采用“液力破碎原理”，通液调整，用液可以自动控制、多种不同的破碎腔型，适应不同的生产需求，作用于二、三级破碎非常理想；具有液力系统，自动控制系统，可以配置ASRI，能够在圆锥破碎机负荷，自动化破碎机配置，充分满足能力，广泛应用于矿山、建筑、水利、化工等领域。

The CH & CS series Single-Cylinder Cone Crusher adopts the advanced technologies from Sweden. Other than some advantages, including compact structure, powerful crushing capacity, higher crushing ratio and greater grain shape, it adopts the lamination principle which can automatically handle various types of cavities, thus will adapt to different production requirements. It is very ideal for the secondary and tertiary crushing. It makes full use of equipment's capacity and automatically optimizes settings of crushers with the hydro-mechanical control system, automatic control system, ASRI and load monitoring. It is used in mining, construction, hydraulic engineering, chemical industry and some other fields.



## Principal Technical Data

Model	Power (kW)	Weight (kg)	Max feed size(mm)	Nominal Capacity in Tph with Crusher Running at CSS mm																
				4	6	8	10	13	16	19	22	25	32	38	44	51	57	64	70	
CH420 V	90	5300	EC	135	-	-	-	46	50-85	54-92	54-92	62-105	66-112	76-128	-	-	-	-	-	
			C	90	-	-	-	43-53	46-89	50-96	54-103	57-110	61-118	70	-	-	-	-	-	
			M	65	-	-	36-44	38-74	41-80	45-76	48-59	-	-	-	-	-	-	-	-	-
			MF	50	-	36	38-67	40-71	44-68	47-53	-	-	-	-	-	-	-	-	-	-
			F	38	27-34	29-50	31-54	32-57	35-48	38	-	-	-	-	-	-	-	-	-	-
			EF	29	30-40 with 80 % finer than 4.5-5.5 mm															
CH430 V	132	9200	EC	185	-	-	-	69-108	75-150	80-161	86-171	91-182	104-208	115-208	-	-	-	-	-	
			C	145	-	-	-	66-131	71-142	76-152	81-162	86-173	98-197	109-150	-	-	-	-	-	
			MC	115	-	-	-	57	62-140	67-151	72-162	77-173	82-184	93-145	-	-	-	-	-	
			M	90	-	-	-	64-84	69-131	75-142	80-152	86-162	91-154	104	-	-	-	-	-	
			MF	75	-	-	61	65-106	70-115	76-124	81-126	87-114	92	-	-	-	-	-	-	-
			F	50	-	48-78	51-83	54-88	59-96	63-103	68-105	72-95	77	-	-	-	-	-	-	-
EF	35	70-90 with 80 % finer than 5-5.6 mm																		
CH440 V	220	14300	EC	215	-	-	-	-	114-200	122-276	131-294	139-313	159-357	175-395	192-384	-	-	-	-	
			C	175	-	-	-	101	109-218	117-292	125-312	133-332	151-378	167-335	183-229	-	-	-	-	
			MC	140	-	-	-	97-122	105-262	113-282	120-301	128-320	146-328	161-242	-	-	-	-	-	
			M	110	-	-	-	117-187	126-278	136-298	145-318	154-339	175-281	194	-	-	-	-	-	
			MF	85	-	-	-	114	124-227	134-245	144-263	153-281	163-299	186-248	-	-	-	-	-	
			F	70	-	-	90-135	96-176	104-191	112-206	120-221	129-236	137-251	156-208	-	-	-	-	-	
EF	38	100-125 with 80 % finer than 6-7.5 mm																		
CH660 V	315	23500	EC	275	-	-	-	-	177	190-338	203-436	216-464	246-547	272-605	298-662	328-511	-	-	-	
			CX	245	-	-	-	-	174-194	187-374	200-488	212-519	242-592	268-654	293-521	323-359	-	-	-	
			C	215	-	-	-	-	171-190	184-367	196-480	209-510	238-582	263-643	288-512	317-353	-	-	-	
			MC	175	-	-	-	-	162-253	174-426	186-455	198-484	226-552	249-499	273-364	-	-	-	-	
			M	135	-	-	-	-	197-295	211-440	226-470	240-500	274-502	302-403	-	-	-	-	-	
			MF	115	-	-	-	-	192	207-369	222-396	237-423	252-450	287-451	318-363	-	-	-	-	
F	85	-	-	-	-	195-304	210-328	225-352	241-376	256-400	292-401	323	-	-	-	-				
EF	65	-	-	-	-	211-293	227-316	244-298	261-290	-	-	-	-	-	-	-				
CH870 V	500	50000	EC	300	-	-	-	-	-	-	448-588	477-849	544-968	601-1070	658-1172	725-1291	782-1393	849-1512	906-1331	
			C	240	-	-	-	-	-	406	433-636	461-893	525-1018	581-1125	636-1232	700-1357	756-1464	820-1461	876-1286	
			MC	195	-	-	-	-	-	380-440	406-723	432-837	492-954	544-1055	596-1155	657-1272	708-1373	769-1370	821-1206	
			M	155	-	-	-	-	-	400-563	428-786	455-836	519-953	573-1054	628-1154	692-1271	746-1372	810-1248	865-1098	
			MF	100	-	-	-	-	-	379-424	407-716	434-765	462-814	527-928	582-942	638-789	702	-	-	
			F	90	-	-	-	-	357-395	385-656	414-704	442-752	470-800	535-912	592-857	649-718	-	-	-	
EF	80	-	-	-	-	280-405	304-517	328-558	352-598	376-639	400-680	455-775	503-128	551-669	-	-				

Model	Power (kW)	Weight (kg)	Max feed size(mm)	Nominal capacity in t/h with crusher																		
				16	19	22	25	29	32	35	38	41	44	48	51	54	57	60	64	70	76	83
CS420 V	90	6800	EC	240	-	-	102-118	108-144	115-154	121-162	127-145	132	-	-	-	-	-	-	-	-		
			C	200	77	82-110	87-116	92-123	98-113	103	-	-	-	-	-	-	-	-	-	-		
CS430 V	132	12000	EC	360	-	-	151	161-245	169-257	176-269	184-281	192-292	200-304	210-281	218-250	225	-	-	-	-		
			C	300	-	-	170-196	182-277	191-290	199-304	208-217	217-330	226-302	237	-	-	-	-	-	-		
CS440 V	220	19300	MC	235	-	130	137-209	147-224	154-235	161-245	168-256	175-267	182-244	192	-	-	-	-	-			
			EC	450	-	-	-	-	-	273-318	285-434	297-452	309-470	325-495	337-447	349-406	-	-	-			
CS660 V	315	35000	C	400	-	-	-	-	291	304-463	317-483	331-503	344-456	362-421	375	-	-	-				
			MC	300	-	-	-	245	257-391	269-409	281-427	292-445	304-403	320-372	332	-	-	-				
CS660 V	315	35000	EC	560	-	-	-	-	-	-	331-385	345-514	359-593	378-624	392-647	406-670	420-693	433-716	452-746	480-792	508-756	540
			C	500	-	-	-	-	-	-	335	350-464	364-602	379-626	399-658	413-683	428-707	443-731	458-755	477-710	507-589	-



## Product Description

HP系列圆锥破碎机采用芬兰破碎领域先进技术,采用“层压破碎”原理,在中碎、细碎、超细碎作业中运用广泛。是二、三破碎机的明智选择,生产的料更均匀,料形更整齐。本机进行了多人性化设计,以减少停机时间,便于维修,降低维修费用以及易于操作,广泛应用于矿山、建筑、水利、化工等领域。

HP Cone Crusher adopts the advanced technology from Finland. It is widely used in medium, fine and extra fine crushing processes with the principle of lamination. It is an optimal choice for the secondary and tertiary crushing due to the more uniformly gradation and more orderly stone shapes when discharging.

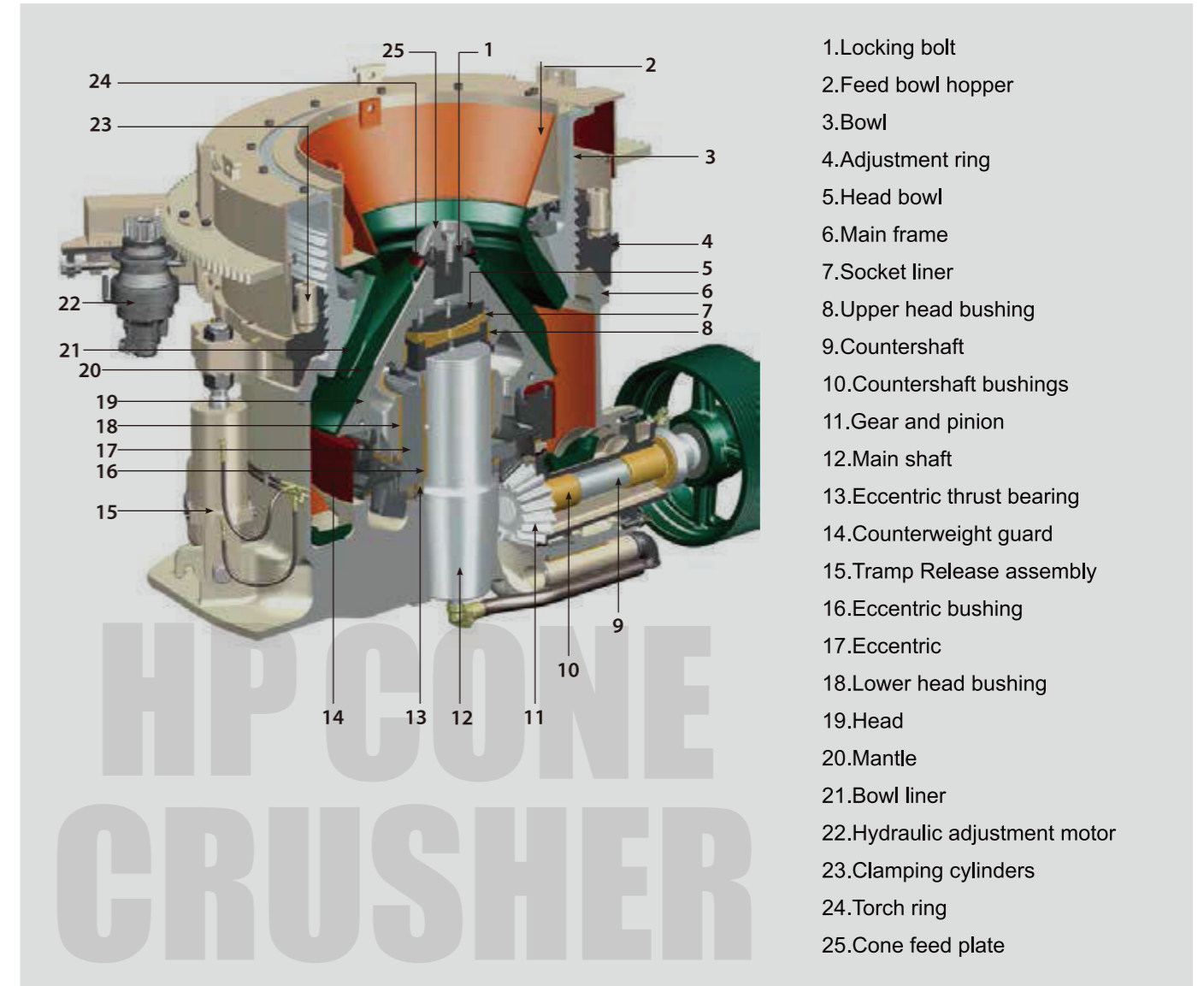
This equipment has taken advantages of many humanized designs for reducing the downtime, so that it will be easier to be maintained and handled. It is widely used in mining, construction, hydraulic engineering, chemical industry and some other fields.



## Principal Technical Data

Model	Technical Specification					Closed Side Setting											
	Head Diameter	Max. Feed Opening	Power	Weight (kg)	Capacity (tph)	6 mm (1/4")	8 mm (5/16")	10 mm (3/8")	13 mm (1/2")	16 mm (5/8")	19 mm (3/4")	22 mm (7/8")	25 mm (1")	32 mm (1-1/4")	38 mm (1-1/2")	45 mm (1-3/4")	51 mm (2")
HP 100 V	735mm (29")	150mm (6")	90KW (125hp)	6470	Mtph Stph	45-55 50-60	50-60 55-65	55-70 60-75	60-80 65-90	70-90 80-100	75-95 85-105	80-100 85-110	85-110 100-140	110-155 120-170			
HP 200 V	940mm (37")	185mm (7")	160KW (200hp)	12160	Mtph Stph			90-120 100-130	120-150 130-165	140-180 155-200	150-190 165-210	160-200 175-220	170-220 185-240	190-235 210-260	210-250 230-275		
HP 300 V	1120mm (44")	230mm (9")	220KW (300hp)	18100	Mtph Stph			115-140 125-155	150-185 165-205	180-220 200-240	200-240 220-265	220-260 240-285	230-280 255-310	250-320 275-355	300-380 330-420	350-440 385-485	
HP 400 V	1320mm (52")	300mm (11-7/8")	315KW (400hp)	25600	Mtph Stph			140-175 155-195	185-230 205-255	225-280 250-310	255-320 280-355	275-345 305-380	295-370 325-410	360-490 395-545	410-560 450-625	465-630 510-700	
HP 500 V	1520mm (60")	335mm (13-1/4")	355KW (500hp)	37000	Mtph Stph			175-220 195-240	230-290 255-320	280-350 310-385	320-400 355-440	345-430 380-475	365-455 400-500	405-535 445-595	445-605 490-670	510-700 560-775	580-790 640-880

## Structural Drawing



## Product Description

PF系列产品有二腔,三腔可选腔型,能处理边长100-800毫米以下物料,适用于破碎中硬料,其抗压达350兆帕,出料粒度较小,物料颗粒度良好,呈立方体颗粒。

PF series of equipment includes secondary and tertiary impact plate which can handle the materials less than 100-800mm in the length. It is suitable to crush the medium hard material with compressive resistance of 350Mpa. The discharging from impact crusher is small and fine granularity of cubic shape.

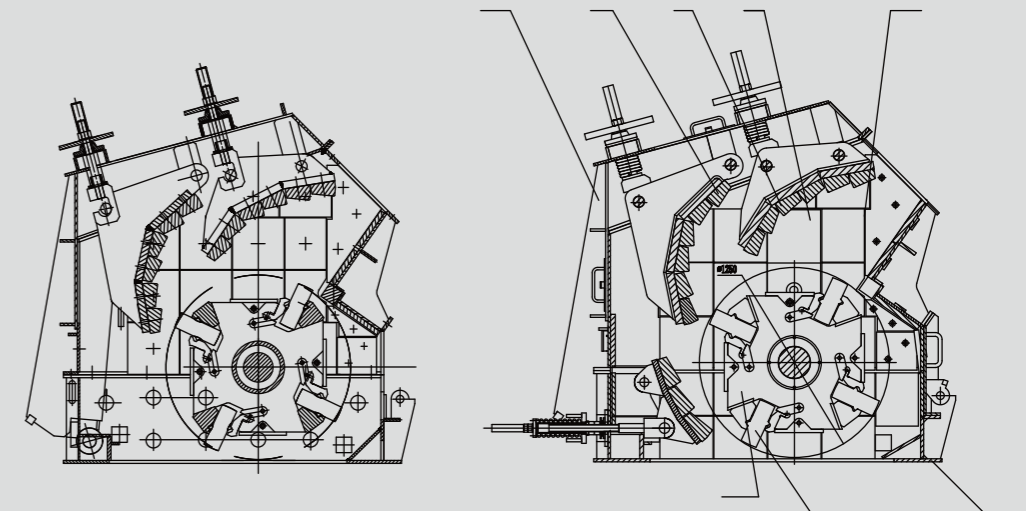


## Principal Technical Data

Model	Spec of Rotor(mm)	Feed Opening (mm x mm)	Max. Feed Edge(mm)	Capacity (tph)	Power (kW)	Weight(Excluding Electric Motor)(t)
PF-1007VI	φ1000X700	400X730	300	20-40	55	9.5
PF-1010V	φ1000X1050	400X1080	350	50-80	55	12.8
PF-1010VI	φ1000X1050	400X1080	350	50-80	55	12.6
PF-1210V	φ1280X1050	400X1080	350	70-120	110	14.1
PF-1210VI	φ1280X1050	400X1080	350	70-120	110	13.2
PF-1214V	φ1280X1400	400X1430	350	95-145	132	16.8
PF-1214VI	φ1280X1400	400X1430	350	95-145	132	15.3
PF-1315V	φ1320X1500	800X1530	300	100-180	185/220	21.0
PF-1315VI	φ1320X1500	800X1530	500	120-200	185	18.9
PF-1320V	φ1320X2000	800X2030	400	280-320	280	29.7
PF-1420	φ1400X2000	1250X2030	600	250-350	355	40.0
PF-1515	φ1500X1500	580X1580	350	220-280	280	28.5
PF-1620	φ1600X2000	1600X2080	600-800	350-400	560	47.5

## Structural Drawing

1. Rear Case
2. Impact Plate
3. Impact Rack
4. Liner Plate
5. Feed Opening
6. Frame
7. Blow Bar
8. Rotor Support



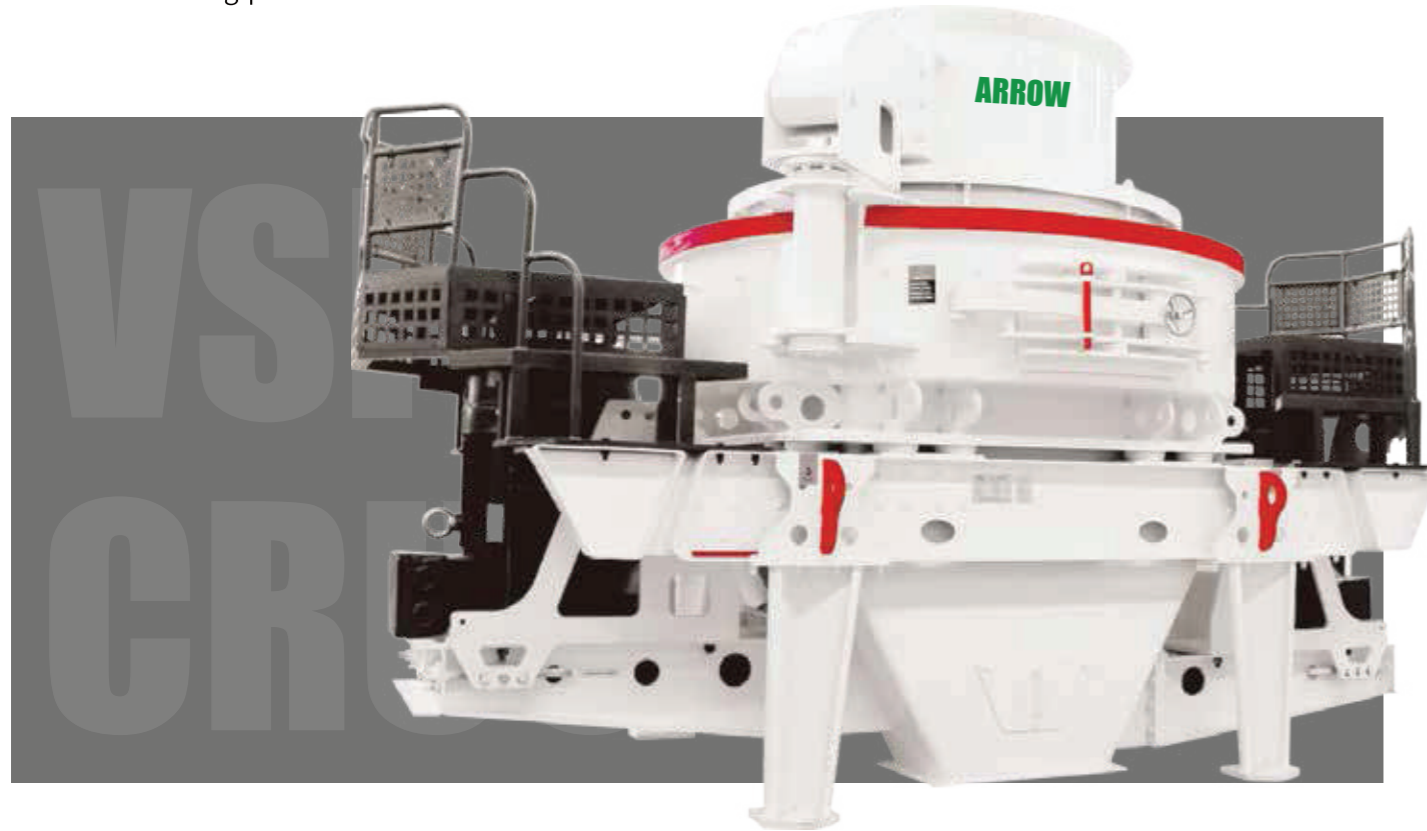
PF IMPACT CRUSHER



## Product Description

VSI系列冲击式破碎机是引进国际最新技术,集高稳定性和高产能于一身的最新一代机制砂生产设备。该系列列冲击式破碎机拥有破碎、制砂和整形三个作用,常用于破碎制砂生产线的最后工序中。

VSI series impact crusher adopt the latest internation technology,with high stable and high capacity production.This series crusher has three function: crushing,making sand and shaping,widely used in the sand making plant.



## Principal Technical Data

Model	Soft	Hard	Side and Central Feeding	Fully Central Feeding	Speed(rpm)	Power(kW)	Dimension(mm)
	Max Feeding Size(mm)		Throughput(tph)				
VSI7611	35	30	120-180	60-90	1700-1890	55x2	4100x2250x2258
VSI5X7615	35	30	150-280	70-140	1700-1900	75x2	4100x2330x2300
VSI8518	40	35	200-260	100-130	1520-1690	90x2	4140x2280x2425
VSI5X8522	40	35	240-380	120-190	1500-1700	110x2	4140x2500x2700
VSI9526	45	40	300-380	150-190	1360-1510	132x2	4560x2450x2780
VSI5X9532	45	40	350-540	180-280	1300-1510	160x2	4560x2600x2900
VSI1140	50	45	450-520	225-260	1180-1310	200x2	5100x2690x3200
VSI5X1145	50	45	500-640	250-360	1100-1310	220x2	5000x2790x3320

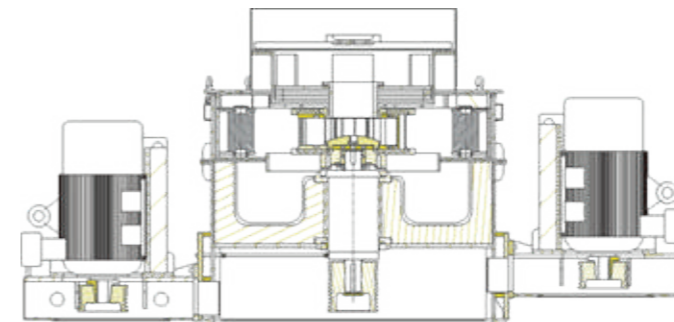
## Product Description

TVIS立轴冲击式破碎机采取该领域世界最先进技术之一,适用于细碎或超细碎破碎作业,可处理磨蚀性较高的物料,产品粒型优异,是高标准砂石料整形和人工制砂的首选设备。

TVIS Vertical Shaft Impact Crusher is fine & extra fine crushing equipment to use one of most advanced technology to reach high level , can handle the high abrasive materials to produce the stones in excellent shapes. It is the optimal equipment for high-standard sand gravel shaping and sand making.



## Structural Drawing



## Principal Technical Data

Model	Rotor Speed (rpm)	Cavity Qty	Rotor Dia. (mm)	Feed Size (mm)	Product Size(mm)	Through Capacity(tph)	Power (kW)	Weight (kg)
TVIS 750	1800~2200	4	Φ710	≤50	≤5(25%~50%)	50~180	(75~132)x2	12000
TVIS 850	1400~1800	5	Φ910	≤50	≤5(20%~50%)	100~250	(90~200)x2	12500
TVIS 950	1300~1700	5	Φ910	≤50	≤5(20%~50%)	200~350	(160~250)x2	14500

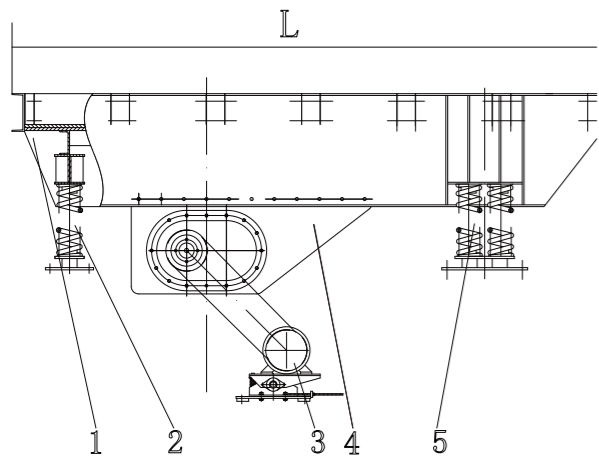
## Product Description

ZSW系列振动喂料机是直线振动式给料机,采用激振器的方式,可为破碎机械连续、均匀喂料,并对物料具有粗筛分能力。

ZSW Vibrating grizzly feeder series is linear direction vibration feeder. The vibration exciter could ensure stable vibration. Could continuously feed crusher at an even speed, this product usually is applied to feed jaw crusher. It could also be used for primary screening.



## Structural Drawing



1. Equipment Body
2. Back Vibrating Spring
3. Electric Motor and Support
4. Vibration Exciter
5. Front Vibrating Spring

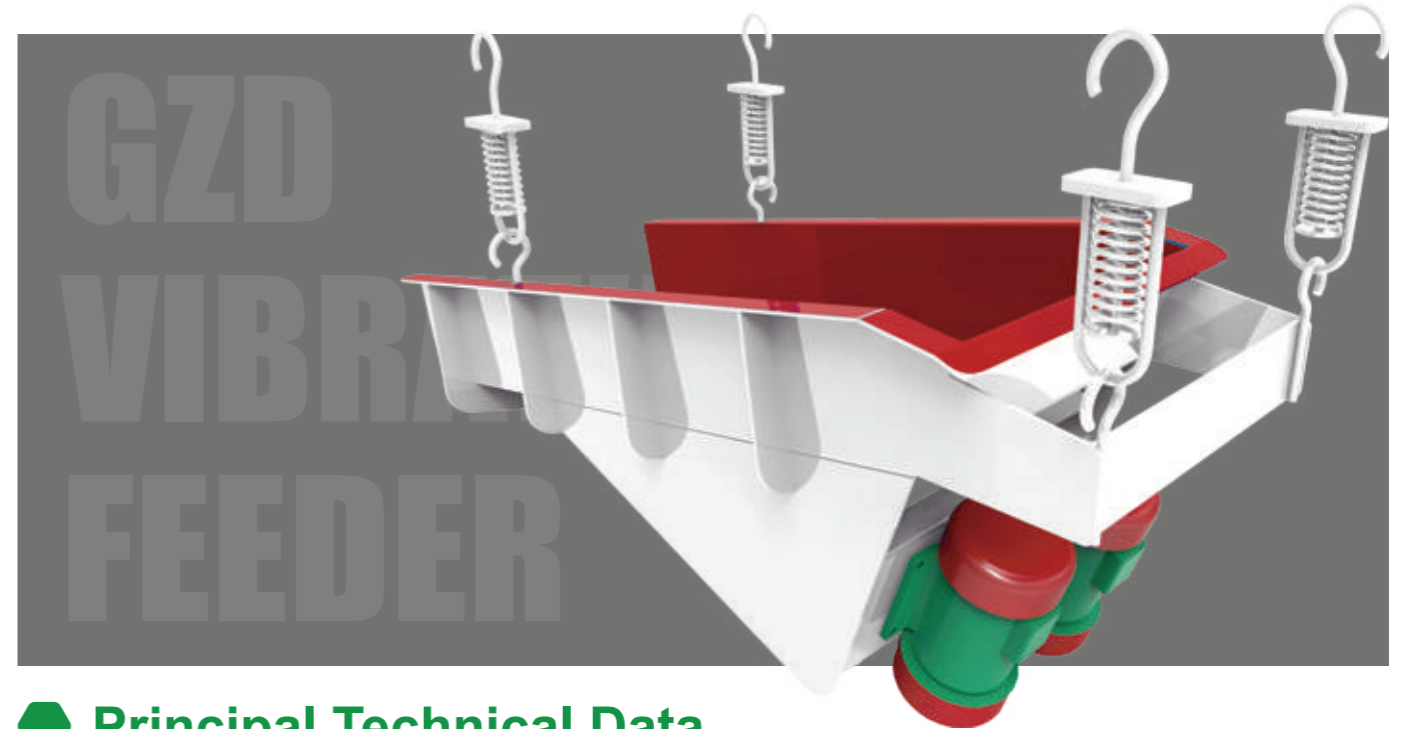
## Principal Technical Data

Model	Max. Feeding Size (mm)	Capacity (tph)	Speed of Eccentric Shaft (rpm)	Motor Power (kW)	Overall Dimensions (l*w*h) (mm)	Size of Funnel (mm)	Weight (Without Motor) (kg)

## Product Description

GZD 系列振动给料机, 均匀连续或定量地从储料仓或料斗中输送块状, 颗粒状物料给到受料装置中去, 使受料装置不受物料的冲击, 保护受料装置。广泛应用于建材, 水利, 化学工业等领域的破碎筛分设备中。

The GZD Vibrating Feeder conveys the bulky or granular materials evenly and continuously or quantitatively from storage silo or hopper to the impact crusher, cone crusher and other crushing machinery. It is widely used in the crushing and screening equipment in mineral processing, building, water conservancy, chemical industry and other fields.



## Principal Technical Data

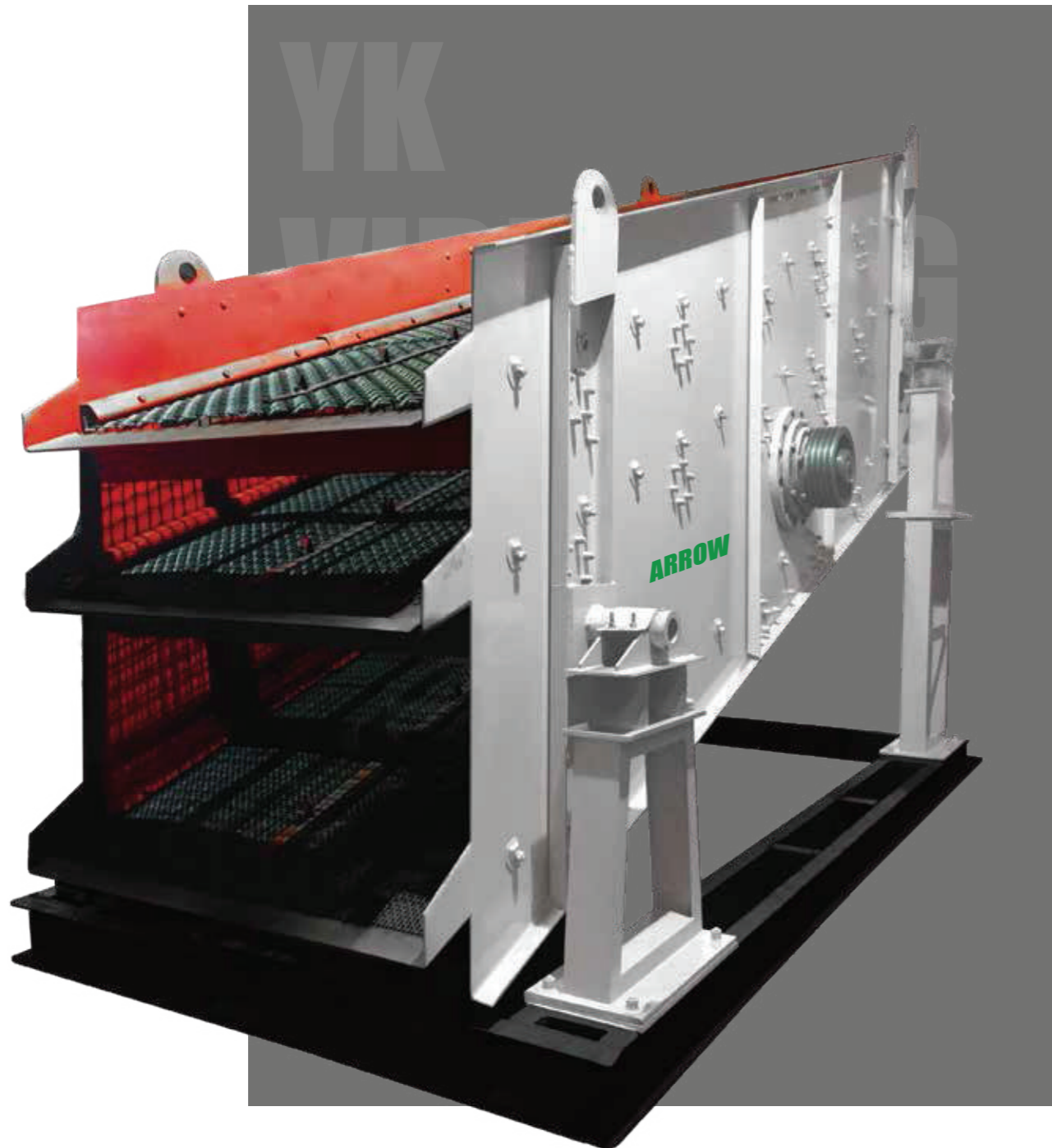
Model	Max Feeding Size (mm)	Capacity (tph)	Motor Power (kW)	Size of Funnel (mm)	Machinery Weight (kg)
GZD-600	200	110-150	2x0.55	1250X630X250	379
GZD-700	200	120-170	2x0.55	1250X700X250	389
GZD-800	250	160-230	2x0.75	1500X800X250	563
GZD-900	250	180-250	2x0.75	1500X900X250	613
GZD-1000	300	270-380	2x1.1	1750X1000X250	762
GZD-1250	350	400-600	2x1.5	2000X1250X315	1100
GZD-1500	500	600-870	2x2.2	2250X1500X300	1480
GZD-1600	500	770-1100	2x3	2500X1600X315	1560
GZD-1800	500	900-1200	2x3	2300X1800X375	2350
GZD-2000	500	1000-1400	2x3	3000X2000X400	2710



## Product Description

YK系列振动筛因运动时近似圆运动,所以称为圆振动筛,是一种多层数、高效新型振动筛。该机采用块偏心激振器及轮胎联轴器,提高了设备使用寿命。本系列主要用于碎石、采石、砂石等的分级,是各级破碎机的配置设备,多层筛网可供选择。

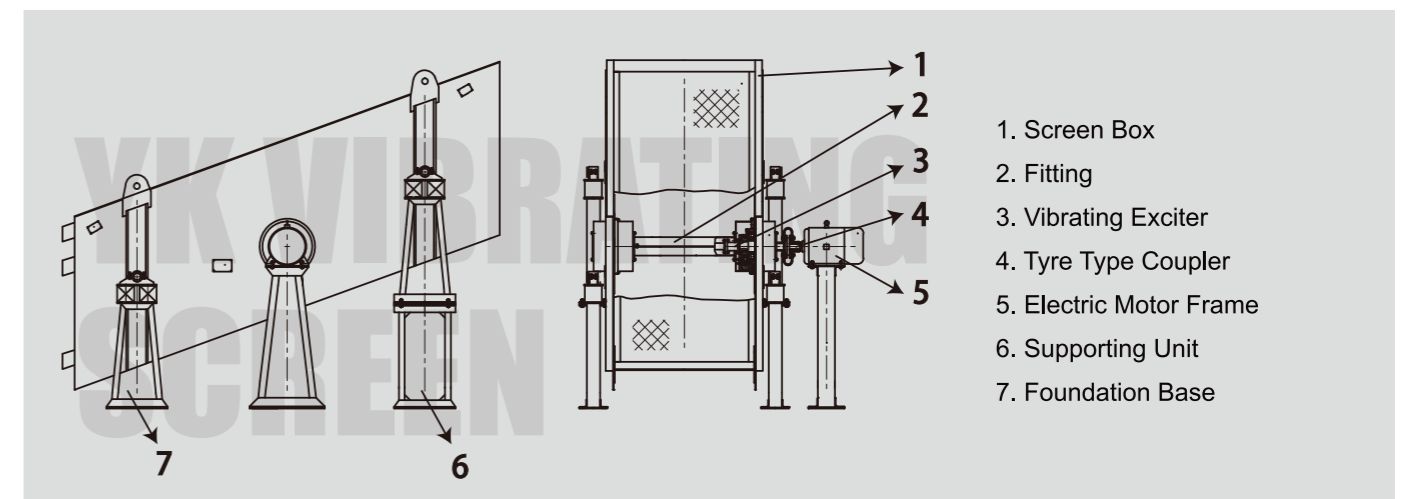
Yk Series of Vibrating Screen is also referred to as circular vibrating screen because its movement is approximate to be a circular motion. This series is especially designed for quarry stone, and it can be also used for separating and screening products in coal dressing, mineral processing, building materials, electricity and chemical industry. We have multi-mesh screen to screen materials with different sizes.



## Principal Technical Data

Model	Power (kW)	Rotation Speed (rpm)	Deck (unit)	Mesh Dimension (mm)	Max. Feeding Size (mm)	Vibrating Frequency (rpm)	Installation Slope (°)	Double Amplitude (mm)	Capacity (tph)	Overall Dimensions (mm)	Weight (t)
YK-1545	11	1000	1	1500X4500	400	970	10	8	33-240	4805.5x2911x2076	3.9
2YK-1545	15	1000	2	1500X4500	400	970	20	8	32-240	5155x3050x3220	4.4
2YK-1548	15	730	2	1500X4800	200	730	20	8	60-270	5072x3147x3776	4.9
3YK-1548	15	970	3	1500X4800	400	970	20	8	47-275	5011x3986x2653	6
4YK-1548	18.5	730	4	1500X4800	200	970	20	8	60-250	4800x2947x4045	7
YK-1854	18.5	1000	1	1800X5400	200	980	20	8	63-586	5400x3247x2750	5.1
2YK-1854	22	970	2	1800X5400	400	970	20	8	63-586	5200x3400x3911	7.6
3YK-1854	22	970	3	1800X5400	400	970	15	8	51-496	6200x3326x3393	8.7
4YK-1854	30	730	4	1800X5400	400	730	20	8	32-310	5447x3417x4266	10.5
YK-2160	18.5	730	1	2100X6000	400	730	20	8	400-600	6050x4035x3005	5.9
2YK-2160	30	730	2	2100X6000	400	730	20	8	390-560	6050x3735x4087	7.8
3YK-2160	30	740	3	2100X6000	400	730	20	8	390-560	6050x3934x4594	10.7
4YK-2160	45	740	4	2100X6000	400	740	20	8	66-720	6050x3966x5073	11.1
YK-2460	22	730	1	2400X6000	200	730	20	8	450-650	6050x4035x3005	6.2
2YK-2460	30	730	2	2400X6000	200	730	20	8	450-650	6050x4035x4087	8
3YK-2460	37	740	3	2400X6000	200	740	20	8	450-650	6050x4234x4594	10.7
4YK-2460	45	740	4	2400X6000	200	740	20	8	450-650	6050x4266x5073	12.8
2YK-2865	2X22	730	2	2800X6500	200	730	20	8	600-800	6500x4407x4618	11.4
3YK-2865	2X22	740	3	2800X6500	200	730	20	8	600-800	6500x4407x4618	13
YK-3072	2X18.5	740	1	3000X7200	200	740	20	8	600-800	6766x4607x3365	10.8
2YK-3072	2X22	730	2	3000X7200	200	730	20	8	600-800	7200x4455x4379	11.8
3YK-3072	2X22	730	3	3000X7200	200	730	20	8	600-800	7200x4467x4964	15.8

## Structural Drawing



## Product Description

本系列产品可清洗分离砂石中的石粉、泥土，其新颖的密封结构，可调式溢流堰板，可靠的传动装置，确保了清洗脱水的效果，适用于公路、水利、建筑等用砂单位。

XL & XS series sand washer can clean and separate stone powder and soil in sand and gravel. The novel sealing structure, adjustable overflow plate and reliable transmission ensure the effect of cleaning and dewatering. It's widely used in road construction, building construction, and hydraulic engineering which project need sands aggregate.



## Principal Technical Data

Model	Screw Diameter (mm)	Chute Length (mm)	Feed Size (mm)	Processing Capacity (tph)	Screw Speed (rpm)	Power (kW)	Water Consumption (tph)	Overall Dimensions (mm)	Weight (t)
XL-915	915	7585	≤10	100	21	11	10-80	8500x2810x3600	6.27
2XL915	915	7585	≤10	200	21	2x11	20-160	8420x3765x3960	11.11
XL1115	1115	9782	≤10	175	17	15	20-150	10970x3945x4720	10.18
2XL1115	1115	9782	≤10	350	17	2x15	40-300	10970x5252x4720	17.94
XS2610	2600	3220	≤10	50	0.8	5.5	4-4.5	3220x2125x2670	2.7
XS3016	3000	3810	≤10	80	0.8	15	10-20	3800x3686x3085	3.3
XS3620	3600	4500	≤10	150	0.8	18.5	20-40	4500x3206x3480	4.3

## Product Description

我司生产的皮带输送机具有输送量大、结构简单、维修方便、部件标准化等优点。

Our conveyor is characterized by large capacity, simple structure, easy maintenance, standardization and so on. It is widely used in mining, metallurgy, coal and other industry to transport bulk material and finished product.



## Principal Technical Data

NO	Belt Width(mm)	Belt Length(m)/Power (kW)			Belt Speed(m/s)	Capacity(tph)
		< 12/1.5	12-20/2.2-4	20-25/3.5-7.5		
1	400	< 12/1.5	12-20/2.2-4	20-25/3.5-7.5	1.3-1.6	40-80
2	500	< 12/3	12-20/4-5.5	20-30/5.5-7.5	1.3-1.6	78-91
3	650	< 12/4	12-20/5.5	20-30/7.5-11	1.3-1.6	131-323
4	800	< 6/4	6-15/5.5	15-30/7.5-15	1.3-1.6	278-546
5	1000	< 10/5.5	10-20/7.5-11	20-40/11-22	1.3-2.0	435-853
6	1200	< 10/7.5	10-20/11	20-40/15-30	1.3-2.0	655-1284

1.The capacity in the above table is calculated under the following conditions:the density of the transferred material is 1.0t/m<sup>3</sup>-1.6t/m<sup>3</sup>,the transferring angle is ≤18°,and stacking angle of the transferred material is 30°.

2.The belt conveyor is used to transfer the material whose density less than 2.5 t/m<sup>3</sup>.

3.The length of the belt conveyor is not limited by this table.We can design and manufacture it according to customers special requirement.



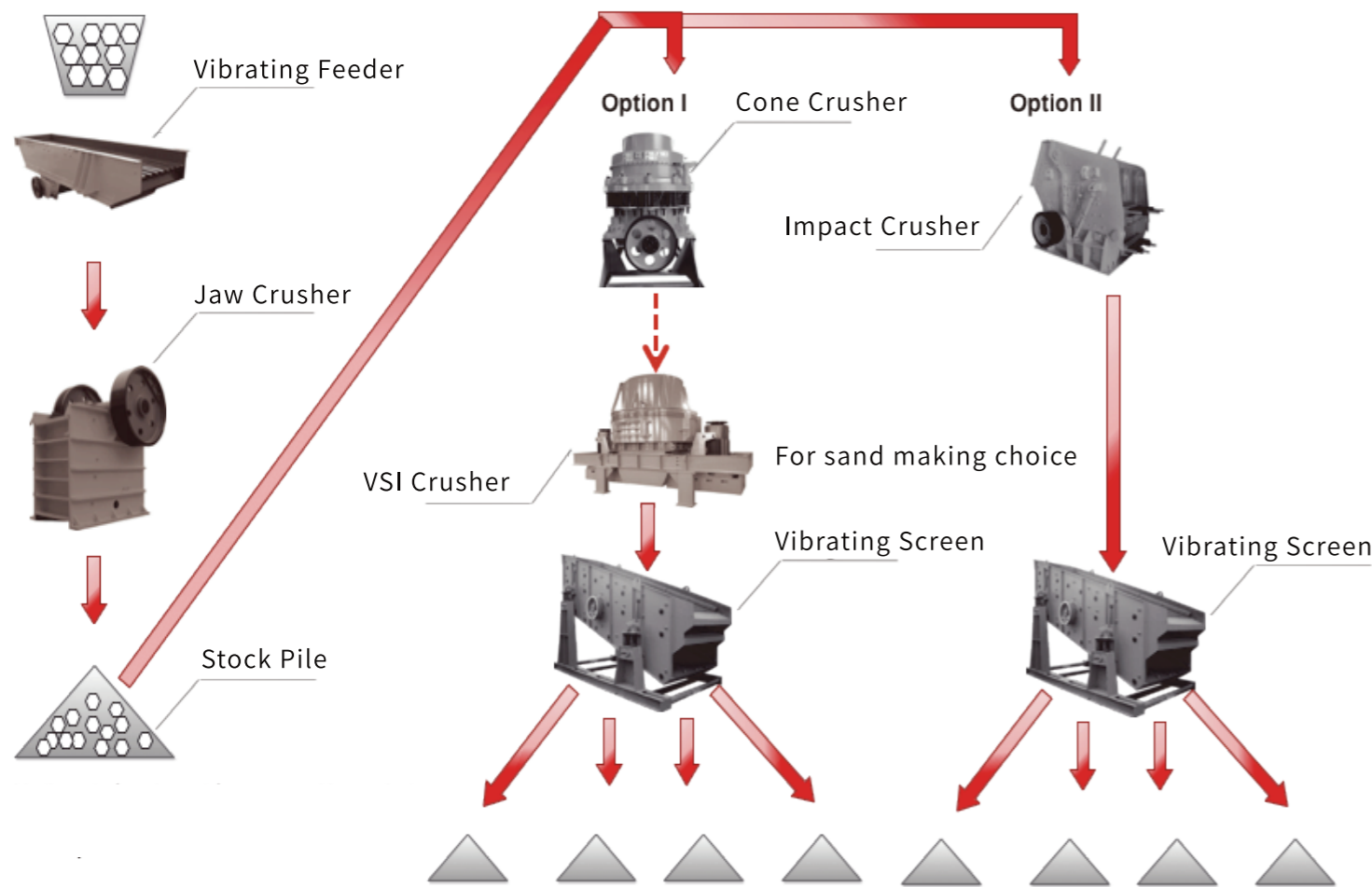
## Product Description

使用场合:生产加工高速公路面层料、高等级公路路面碎石、高速铁路砂石骨料、水电站、港口码头及机场跑道用碎石等特种施工领域。随着城市扩建和改善,响应环保的号召,我司积极研发生产用于建筑废弃物的回收的固定式或移动式破碎站,为城市的文明建设,健康发展而努力。

The Crushing and Screening Plants could be used for producing the surface materials of the expressway, gravels for the high quality roads and airport runway, aggregates for the high-speed railway, hydropower station, port, terminals, etc. With the development of urbanization, also with the escalating level of environmental protection, we've designed the stationary and mobile type of crushing plant for the construction wastes which will contribute to the improvement of city environment.

Materials: rigid and medium hard stones including, basalt, diabase, granite, marble, pebble, limestone, andesite and some relevant construction wastes.

## Flow chart



We can provide the set of equipment for your crushing projects which can be from 20Ton/hour to 1000Ton/hou. The customization is available, the design would be based on customer's actual requirements.

# CRUSHING AND SCREEN PLANT



● 100TPH Crushing plant



● 150TPH Crushing plant



● 300TPH Crushing plant



● 400TPH Crushing plant



● 100TPH Crushing plant-1



● 100TPH Crushing plant-2



● Mobile Crushing plant-1



● Mobile Crushing plant-2



## Product Description

PVMC系列袋式除尘器具有技术性能高,净化效率高,处理气体能力大,性能稳定,使用寿命长,应用范围广的特点,该设备广泛应用于破碎、冶金、铸造等工矿企业的通风除尘,用于改善环境,防止大气污染。

PVMC Bag Filter has a characteristics of high technical performance, high purification efficiency, large gas processing capacity, stable performance, long service life and wide application range, which widely used in the industry of crushing and screening. It is used for improving the environment and preventing the air pollution.



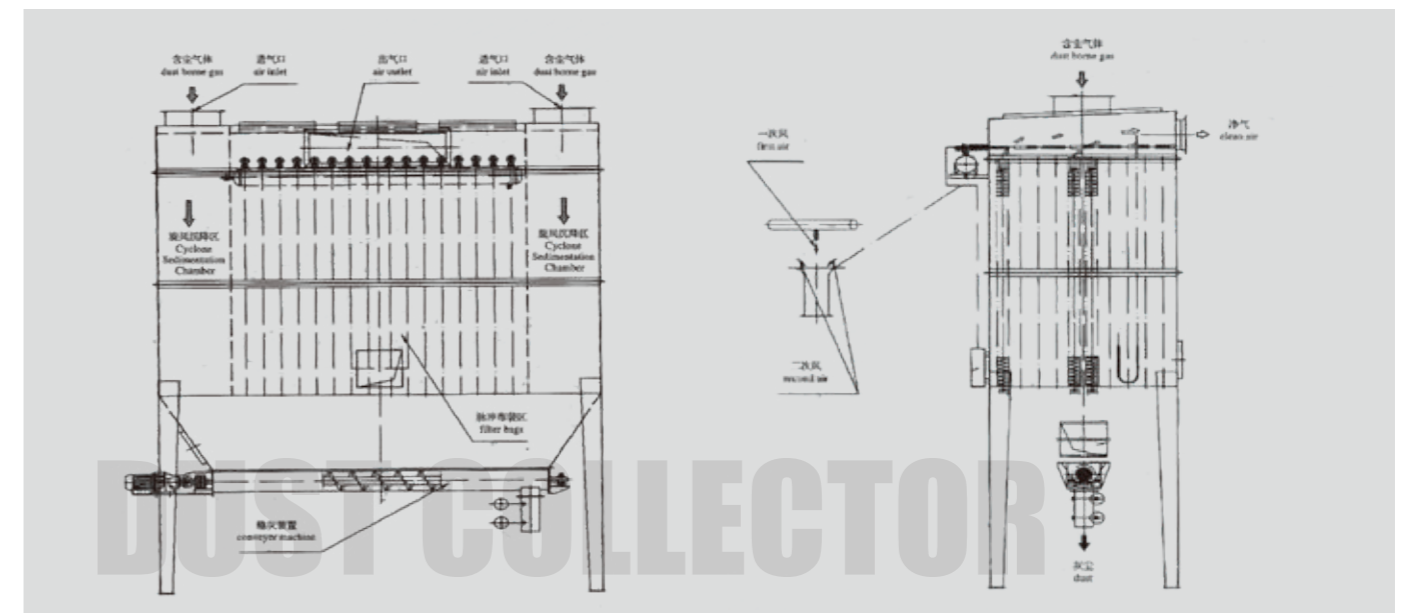
DUST COLLECTOR



## Principal Technical Data

Model	Flow Rate (m <sup>3</sup> /h)	Filter Area (m <sup>2</sup> )	Filter Speed (m/min)	Cleaning Efficiency	Emissions (mg/m <sup>3</sup> )	Main Machine Motor Power(kW)	Conveyer Machine Motor Power (kW)
PVMC-60-2.5	6480~7200	60	1.8~2.0	95%	≤80	7.5	
PVMC-80-2.5	8640~9600	80	1.8~2.0	95%	≤80	11	
PVMC-100-2.5	10800~12000	100	1.8~2.0	95%	≤80	15	
PVMC-120-2.5	12960~14400	120	1.8~2.0	95%	≤50	18.5	3
PVMC-140-2.5	15120~16800	140	1.8~2.0	95%	≤50	22	3
PVMC-160-2.5	17280~19200	160	1.8~2.0	95%	≤50	22	3
PVMC-180-2.5	19440~21600	180	1.8~2.0	95%	≤50	22	3
PVMC-200-2.5	21600~24000	200	1.8~2.0	95%	≤50	30	3
PVMC-220-2.5	23760~26400	220	1.8~2.0	95%	≤50	30	3
PVMC-240-2.5	25920~28800	240	1.8~2.0	95%	≤50	30	4
PVMC-260-2.5	28080~31200	260	1.8~2.0	95%	≤50	37	4
PVMC-280-2.5	30240~33600	280	1.8~2.0	95%	≤50	37	4
PVMC-300-2.5	32400~36000	300	1.8~2.0	95%	≤50	37	4
PVMC-320-2.5	34560~38400	320	1.8~2.0	95%	≤50	45	4
PVMC-360-2.5	38880~43200	360	1.8~2.0	95%	≤50	45	4
PVMC-380-2.5	41040~45600	380	1.8~2.0	95%	≤50	55	4
PVMC-420-2.5	45360~50400	420	1.8~2.0	95%	≤50	75	3*2
PVMC-480-2.5	51840~57600	480	1.8~2.0	95%	≤50	75	3*2

## Structural Drawing





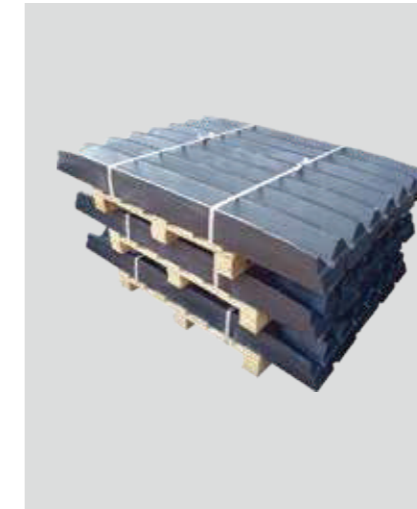
## Product Description

Gravik 是专业的破碎机铸件服务商。  
 我们可以提供重新设计制作, 数据库, 配件编号查找等多种方案为您找到并制作正确的配件, 我们不仅提供合理的配件设计, 并对提高产品耐磨和使用寿命提供有效意见。  
 我们可以提供13%, 18%, 22%等不同的锰钢件来满足您的需求。

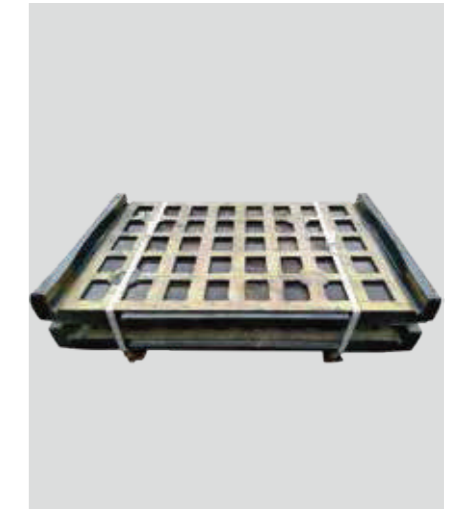
Gravik will supply a full set of manganese steel casting parts for all types of crushers.  
 We can provide drawing design, Database, parts No. and etc to find your right parts.  
 We offer the industry standard designs as well as many specialized designs to maximize liners life.  
 We can offer 13%, 18%, 22% manganese steel to meet your requirement for jaw plates, mantle and concave and etc.



# JAW PLATES



SANDVIK JAW PLATE



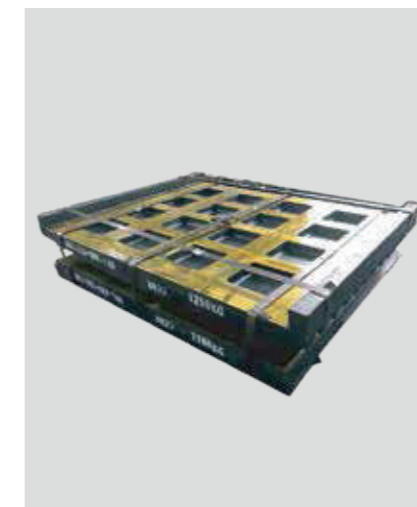
TRIO JAW PLATE



METSO JAW PLATE



METSO JAW PLATE



TEREX JAW PLATE



TEREX JAW PLATE



## Product Description

Gravik 是专业的破碎机铸件服务商。  
 我们可以提供重新设计制作, 数据库, 配件编号查找等多种方案为您找到并制作正确的配件, 我们不仅提供合理的配件设计, 并对提高产品耐磨和使用寿命提供有效意见。  
 我们可以提供13%, 18%, 22%等不同的锰钢件来满足您的需求。

Gravik will supply a full set of manganese steel casting parts for all types of crushers.  
 We can provide drawing design, Database, parts No. and etc to find your right parts.  
 We offer the industry standard designs as well as many specialized designs to maximize liners life.  
 We can offer 13%, 18%, 22% manganese steel to meet your requirement for jaw plates, mantle and concave and etc.



GONGGANG & MANTLE



TEREX concave



TEREX mantle



SYMONS concave



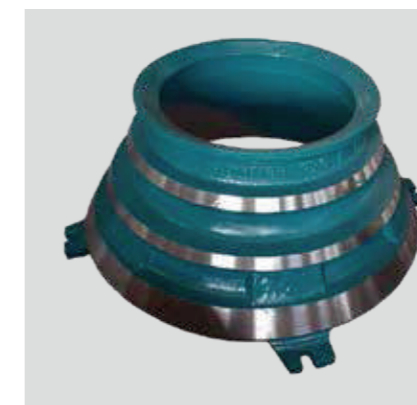
SYMONS mantle



SANDVIK concave



SANDVIK mantle



METSO concave



METSO mantle



## Product Description

Gravik 是专业的破碎机铸件服务商。  
 我们可以提供重新设计制作, 数据库, 配件编号查找等多种方案为您找到并制作正确的配件, 我们不仅提供合理的配件设计, 并对提高产品耐磨和使用寿命提供有效意见。  
 我们可以提供高锰, 高铬, 马氏体, 并可以嵌陶瓷材料来满足您的材料需求。

Gravik will supply a full set of steel casting parts for all types of crushers.  
 We can provide drawing design, Database, parts No. and etc to find your right parts.  
 We offer the industry standard designs as well as many specialized designs to maximize blow bar life.  
 We can offer high manganese, high chrome, Martensite, and with ceramic material to meet your requirements.



BLOW BAR



TEREX Blow bar



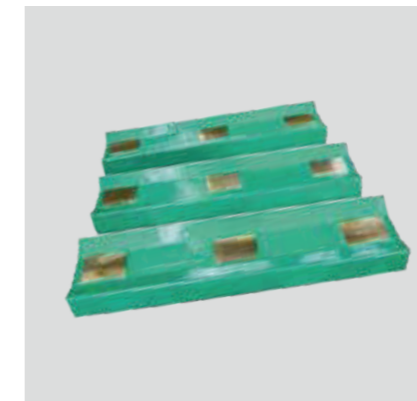
RUBBERMASTER Blow bar



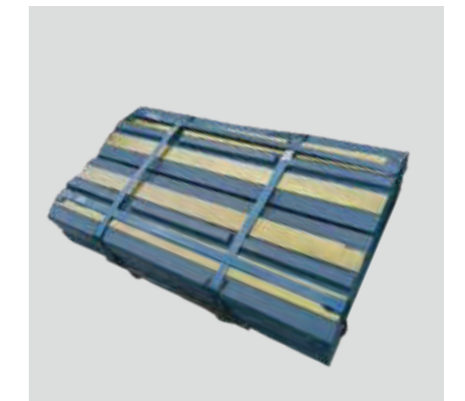
MESTO Blow bar



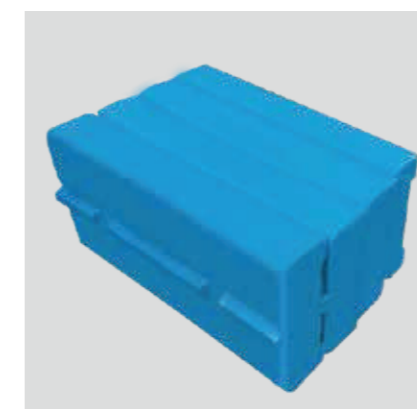
SHANBAO Blow bar



KLEEMANN Blow bar



KLEEMANN Blow bar



HAZEMAG Blow bar



HAZEMAG Blow bar



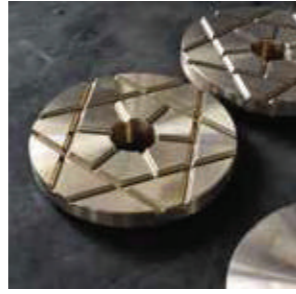
## Other Crusher Parts



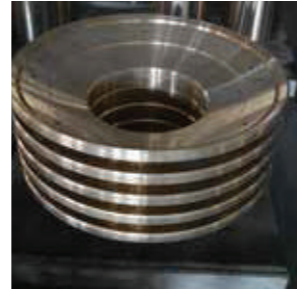
铜件 Bronze Parts



偏心衬套 Eccentric Bushing



上推力轴承 Up-thrust Bearing



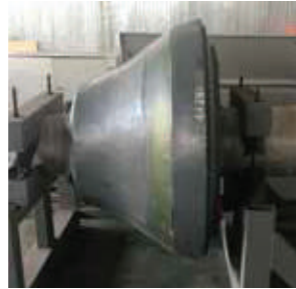
碗型瓦 Socket Liner



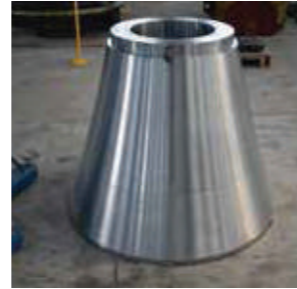
主轴 Main Shaft



偏心套 Eccentric



动锥总成 Head Assembly



躯体 Head Center



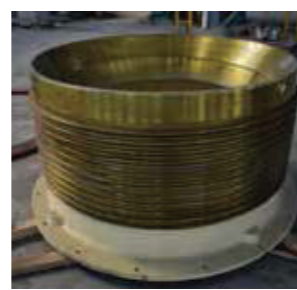
动锥内螺母 Inner Head Nut



动锥螺母 Head Nut



上机架 Top Shell



调整套 Adjusting Sleeve



主轴衬套 Main Shaft Sleeve



大小齿轮 Gear and Pinion



大小齿轮 Gear and Pinion



分料盘 Distributor



碗形轴承架 Bowled Bearing Frame



压套 Pressing Sleeve



躯体 Head Center



球形圈 Spherical Ring

## Other Crusher Parts



动锥总成 Crushing Cone Assembly



动鄂总成 Swing Jaw Assembly



肘板 Toggle Plate



调整座 Toggle Seat



紧定衬套带螺母 Locking lining



边护板 Cheek Plate



弹簧 Spring



压块 Pressing Bar



螺栓 Bolt



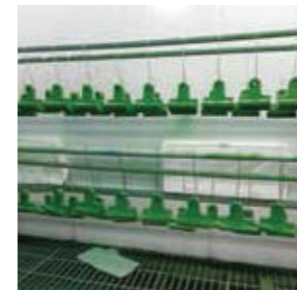
反击衬板 Impact Liner



转子总成 Rotor Assembly



板锤 Blow Bar



抛料头 Rotor Tip



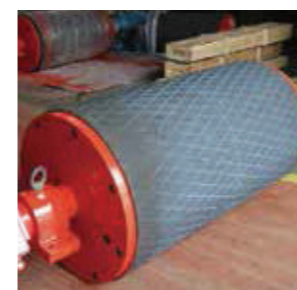
制砂机配件 VSI Crusher Parts



托辊 Roller



轴承 Bearing



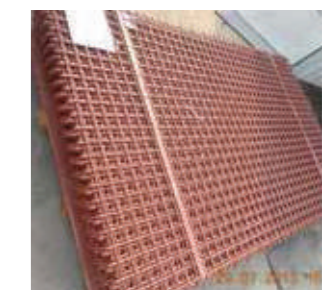
驱动滚筒 Driving Drum



减速机 Reducer



输送带 Conveyor Belt



筛网 Screen Mesh

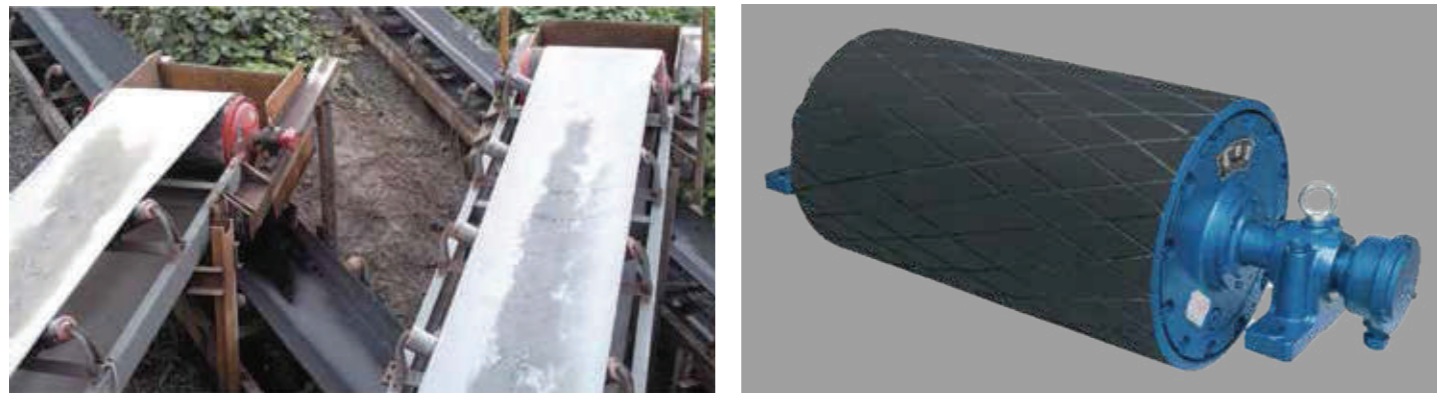


## Product Description



The motorized drum that work environment the temperature is -20℃~+40℃.The temperature that transport the material 60℃.The elevation high of work location not exceed 1000 meters.If the work environment is out of accordance with above term,please contact with our company.

滚筒直径 D Drum Dia.D mm	ø320		ø400		ø500			ø630				ø800					ø1000				ø1250				
宽带 B Belt Width B mm	400/500/650 /800/1000		400/500/650 /800/1000		500/650/800 /1000/1200			650/800/1000/1200 /1400/1600/1800/2000				800/1000 /1200/1400		800/1000 /1200/1400			1000/1200 /1400/1600				1200/1400 /1600/1800				
功能 P Power P KW	2.2 /3.0 /4.0	5.5 /7.5	2.2 /3.0 /4.0	5.5 /7.5	2.2 /3.0 /4.0	5.5 /7.5	11 /15	18.5 /22 /30 /37	5.7 /7.5	11 /15	18.5 /22 /30 /37	45 /55	75	5.7 /7.5	11 /15	18.5 /22 /30 /37	45 /55	75 /90 /110 /132 /160	160 /200 /250	30 /37	45 /55	75 /90 /110 /132 /160	200 /250 /315	132 /160	200 /250 /315 /400



TYD type oil-cooled motorized drum is widely used for general purpose in China.Its motor is made by the special motor producers,is not below national Y series standard at the same power level.For meeting the requirements of our customers, TDY type oil-cooled motorized drum will continue to be produced.

滚筒直径 D Drum Dia.D mm	ø320		ø400		ø500			ø630					ø800									
宽带 B Belt Width B mm	500/650 /800/1000		500/650 /800/1000		500/650/800 /1000/1200			650 /800 /1000 /1200	800 /1000 /1200	650 /800 /1000 /1200	650 /800 /1000 /1200	800 /1000 /1200 /1400	800 /1000 /1200 /1400	1000/1200 /1400/1600	800 /1000 /1200 /1400	1000/1200 /1400/1600						
功能 P Power P KW	1.5 /2.2 /3.0	4 /5.5	2.2 /3.0	4 /5.5	11 /15	11	5.7 /7.5	11 /15	7.5 /11	15 /18.5	22 /30	3 /4	5.5 /7.5	15 /18.5	22 /30	30 /37	45 /55	7.5 /11	15 /22	18.5 /22	30 /37	45

## Product Description



It is suitable for conveying materials under medium and long distance, widely used in mining, cement, electric power, metallurgy, chemical industry, port and other industries.

## Parameter List

织物类型 Fabric type	结构 Structure		型号 Type	胶布厚度 Ply thickness (mm/p)	拉伸强度 Tensile Strength(N/mm)					覆盖胶厚度 Cover thickness(mm)		宽度范围 Width (mm)	带长 Length (m)
	经 Warp	纬 Well			2层 2-ply	3层 3-ply	4层 4-ply	5层 5-ply	6层 6-ply	上胶 Top cover	下胶 Bottom cover		
尼龙 Nylon (NN)	锦纶 polyimide	锦纶 polyimide	NN100	0.75	200	300	400	500	600	2.0-30	1.5-20	400-2500	≤300
			NN125	0.8	250	375	500	625	750	2.0-30	1.5-20	400-2500	≤300
			NN150	0.9	300	450	600	750	900	2.0-30	1.5-20	400-2500	≤300
			NN200	0.95	400	600	800	1000	1200	2.0-30	1.5-20	400-2500	≤300
			NN250	1.25	500	750	1000	1250	1500	2.0-30	1.5-20	400-2500	≤300
			NN300	1.3	600	900	1200	1500	1800	2.0-30	1.5-20	400-2500	≤300
			NN350	1.6	700	1050	1400	1750	2100	2.0-30	1.5-20	400-2500	≤300
			NN400	1.8	800	1200	1600	2000	2400	2.0-30	1.5-20	400-2500	≤300
聚酯 Polyester (EP)	聚酯 Polyester	锦纶 polyimide	EP100	0.85	200	300	400	500	600	2.0-30	1.5-20	400-2500	≤300
			EP125	0.90	250	375	500	625	750	2.0-30	1.5-20	400-2500	≤300
			EP150	0.90	300	450	600	750	900	2.0-30	1.5-20	400-2500	≤300
			EP200	1.1	400	600	800	1000	1200	2.0-30	1.5-20	400-2500	≤300
			EP250	1.25	500	750	1000	1250	1500	2.0-30	1.5-20	400-2500	≤300
			EP300	1.45	600	900	1200	1500	1800	2.0-30	1.5-20	400-2500	≤300
			EP350	1.65	700	1050	1400	1750	2100	2.0-30	1.5-20	400-2500	≤300
			EP400	1.75	800	1200	1600	2000	2400	2.0-30	1.5-20	400-2500	≤300
			EP500	2.55	1000	1500	2000	2500	3000	2.0-30	1.5-20	400-2500	≤300